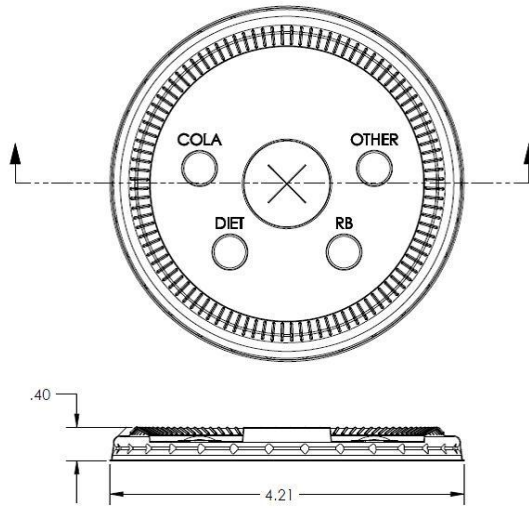


32 oz. Flat Lid



Features

- Available in white or translucent
- One size lid fits multiple cups
- Lids provide optimum clarity, strength and crack resistance
- Polystyrene lids are lightweight and flexible
- Flat lids have pre-cut slots to accommodate straws

PRODUCT CODE.....32SL
BRAND.....Maui Cup
COMPATIBLE CUPS.....22TCD, 24FCD, 30TCD, 28TMC, 32TMC

SPECIFICATIONS

Materials.....PS
 Pack Count.....1,200(12/100)
 Case Weight.....10.7 lbs
 Case Dimensions.....17.70" x 13.20" x 16.14"
 Case Cube.....2.18
 Cases per Pallet.....48

VOLUME

Practical Fill.....N/A
 Flush Fill.....N/A

52585 Dequindre Road
 Rochester, MI 48308

Phone 248-652-0557
 Toll Free 800-Letica-1
 Fax 248-608-2092
 letica.com



Coast to Coast
 Manufacturing Capabilities

The above information is general sales material only. LETICA MAKES NO WARRANTIES HEREIN, EXPRESS OR IMPLIED, INCLUDING THE WARRANTY OF MERCHANTABILITY OR FITNESS FOR A PARTICULAR USE OR PURPOSE. As Letica continues to improve its products and processes, Letica reserve the right to alter or modify any product and/or specification at any time without notice or obligation. Please contact your Letica sales representative to ensure you have the most recent product information.