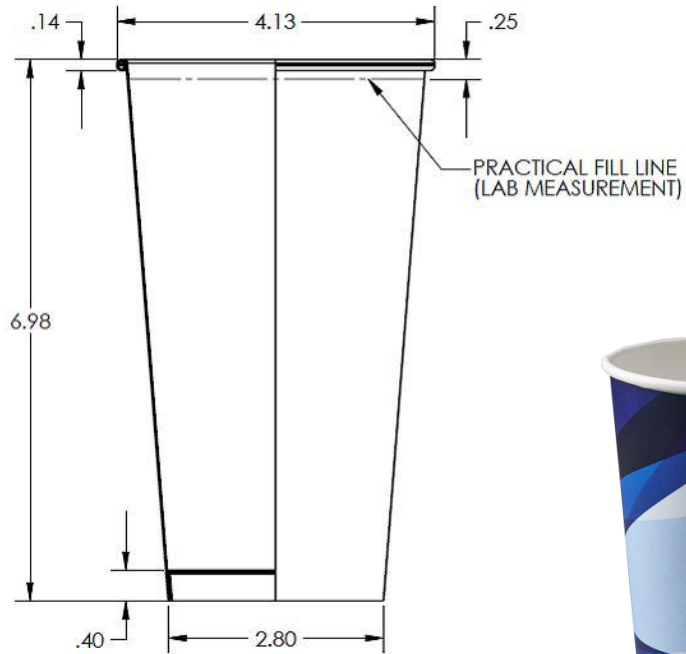


# 32 oz. Cold Paper Cup

## Features

- Double poly-coated (both interior and exterior surfaces) with a polyethylene plastic film that keeps liquids in reinforces material to resist sweating
- Our paper cold cups are available in stock designs or can be customer printed to your particular needs.



**PRODUCT CODE**.....32PCM  
**BRAND**.....Maui Cup  
**COMPATIBLE LIDS**..... 32SL, 32CL, 32DL

## SPECIFICATIONS

Materials.....Paper Board  
 Pack Count.....600 (15/40)  
 Case Weight.....31.3 lbs  
 Case Dimensions.....N/A  
 Case Cube.....3.63  
 Cases per Pallet.....24

## VOLUME

Practical Fill.....32 oz.  
 Flush Fill.....34.3 oz.

52585 Dequindre Road  
 Rochester, MI 48308

Phone 248-652-0557  
 Toll Free 800-Letica-1  
 Fax 248-608-2092  
 letica.com



Coast to Coast  
 Manufacturing Capabilities

The above information is general sales material only. LETICA MAKES NO WARRANTIES HEREIN, EXPRESS OR IMPLIED, INCLUDING THE WARRANTY OF MERCHANTABILITY OR FITNESS FOR A PARTICULAR USE OR PURPOSE. As Letica continues to improve its products and processes, Letica reserve the right to alter or modify any product and/or specification at any time without notice or obligation. Please contact your Letica sales representative to ensure you have the most recent product information.