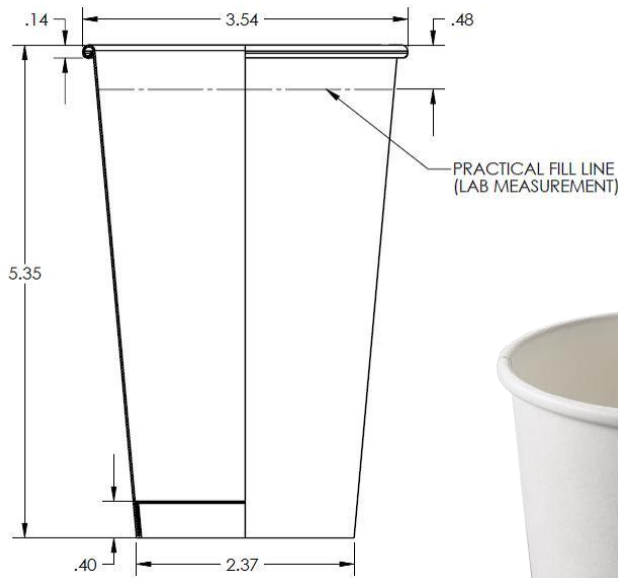


16 oz. Paper Hot Cup

Features

- Hot cups are coated on the interior with a single layer poly film to make them optimal for single serve hot beverage applications.
- Our paper hot cups are available in stock designs or can be customer printed to your particular needs.



PRODUCT CODE.....16HDC
BRAND.....Maui Cup
COMPATIBLE LIDS.....16HT, 16HG, & 16HR

SPECIFICATIONS

Material..... Paperboard
 Pack Count.....1000 (25/40)
 Case Weig.....34.80 lbs
 Case Dimensions.....19.82" x 16.195" x 21.453"
 Case Cube.....3.99
 Cases per Pallet.....24

VOLUME

Practical Fill.....16.00 oz.
 Flush Fill.....18.10 oz.

52585 Dequindre Road
 Rochester, MI 48308

Phone 248-652-0557
 Toll Free 800-Letica-1
 Fax 248-608-2092
 letica.com



Coast to Coast
 Manufacturing Capabilities

The above information is general sales material only. LETICA MAKES NO WARRANTIES HEREIN, EXPRESS OR IMPLIED, INCLUDING THE WARRANTY OF MERCHANTABILITY OR FITNESS FOR A PARTICULAR USE OR PURPOSE. As Letica continues to improve its products and processes, Letica reserve the right to alter or modify any product and/or specification at any time without notice or obligation. Please contact your Letica sales representative to ensure you have the most recent product information.