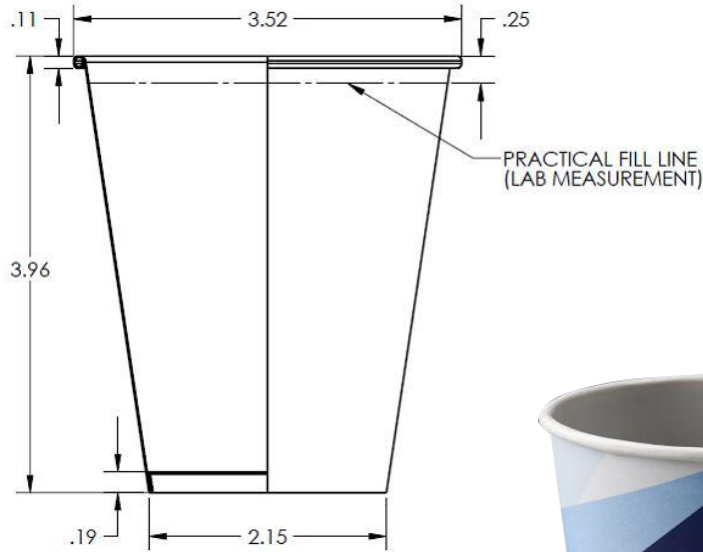


12 oz. Cold Paper Cup - Squat

Features

- Double poly-coated (both interior and exterior surfaces) with a polyethylene plastic film that keeps liquids in and reinforces material to resist sweating.
- Our paper cold cups are available in stock designs or can be customer printed to your particular needs.



PRODUCT CODE.....12PCQ
BRAND.....Maui Cup
COMPATIBLE LIDS.....TOC, 16 SL, 16 CL & 16DL

SPECIFICATIONS

Materials.....Paperboard
 Pack Count.....2,400 (24/100)
 Case Weight..... 41.1lbs
 Case Dimensions..... 21.445" x 14.382" x 23.64"
 Case Cube.....4.24
 Cases per Pallet.....20

VOLUME

Practical Fill.....12oz
 Flush Fill.....13oz

52585 Dequindre Road
 Rochester, MI 48308

Phone 248-652-0557
 Toll Free 800-Letica-1
 Fax 248-608-2092
 letica.com



Coast to Coast
 Manufacturing Capabilities

The above information is general sales material only. LETICA MAKES NO WARRANTIES HEREIN, EXPRESS OR IMPLIED, INCLUDING THE WARRANTY OF MERCHANTABILITY OR FITNESS FOR A PARTICULAR USE OR PURPOSE. As Letica continues to improve its products and processes, Letica reserve the right to alter or modify any product and/or specification at any time without notice or obligation. Please contact your Letica sales representative to ensure you have the most recent product information.